

# SOLUTIONS FOR SCAFFOLDING



 Max Load Capacity  
 820 Kg

**FITTINGS**

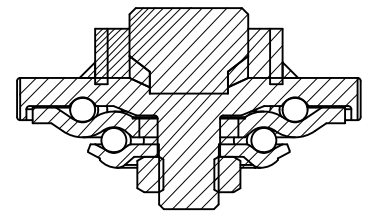
- Plug type top fitting.
- Socket type top fitting.
- Locking cup fitting.



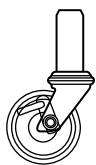
**FEATURES**

- Forged swivel head with integrally forged kingpin.
- Slotted nut arrangement in swivel head for fine adjustment.
- Totally sealed swivel head with Dual ball raceways & grease nipple.
- Fork legs : 5mm thick formed fork legs & robotically welded.
- Confirms to BS EN 1004 : 2020.
- Confirms to DIN EN 1004

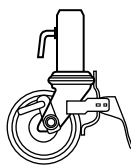
**SWIVEL HEAD SECTION**



**FORK TYPES**



Wheel lock



Swivel and wheel lock

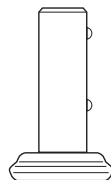
**AVAILABLE FINISHES**

RoHS compliant zinc plated

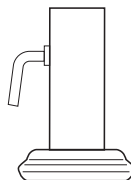
Black powder coated



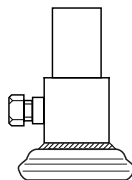
**OPTIONS**



Castor with plug type top fitting



Castor with socket type top fitting

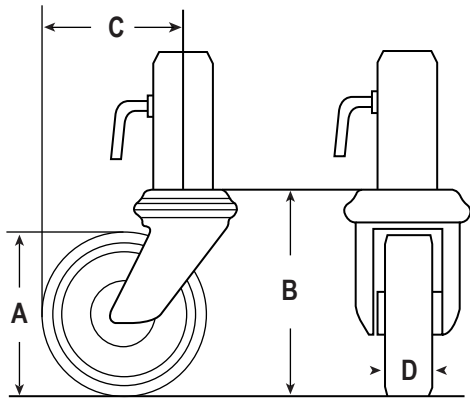


Castor with locking cup fitting

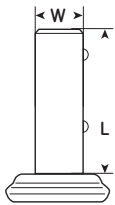
**+WHEELS**

**MATERIAL**

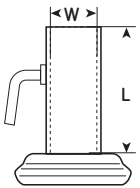
SAS	Premium Polyurethane
SJS	Standard Polyurethane
NY	Nylon
CI	Cast Iron
SB	Rubber On Cast Iron
MOR	Rubber on spoke cast iron rim.



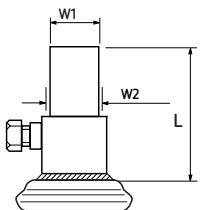
SCF												
A	B	C	D	Static Load	Wheel type	Fitting type	Swivel Catalogue reference basic	Fitting availble Add to basic castor reference				
6"	150	200	129	45	820	Nylon	Socket	SCF 150 NY	ST2	ST3	ST5	PS1
				45	500	Nylon	Plug	SCF 150 NY	PT4	PT5		PS1
				50	820	Rubber Tyred	Socket	SCF 150 RU	ST2	ST3	ST5	PS1
				50	500	Rubber Tyred	Plug	SCF 150 RU	PT4	PT5		PS1
				50	820	Polyurethane	Socket	SCF 150 PU	ST2	ST3	ST5	PS1
				50	500	Polyurethane	Plug	SCF 150 PU	PT4	PT5		PS1
8"	200	241	148	50	820	Nylon	Socket	SCF 200 NY	ST2	ST3	ST5	PS1
				50	500	Nylon	Plug	SCF 200 NY	PT4	PT5		PS1
				50	820	Rubber Tyred	Socket	SCF 200 RU	ST2	ST3	ST5	PS1
				50	500	Rubber Tyred	Plug	SCF 200 RU	PT4	PT5		PS1
				50	820	Polyurethane	Socket	SCF 200 PU	ST2	ST3	ST5	PS1
				50	500	Polyurethane	Plug	SCF 200 PU	PT4	PT5		PS1
				50	820	Cast Iron	Socket	SCF 200 CI	ST2	ST3	ST5	PS1
				50	500	Cast Iron	Plug	SCF 200 CI	PT4	PT5		PS1



Castor with plug type top fitting			
Fitting ref	W	L	
PT1	31.8 (1.25")	64	
PT2	38.1 (1.51")	64	
PT3	38.35 (1.51")	64	
PT4	34.9 (2.5")	127	
PT5	38.1 (1.5")	127	



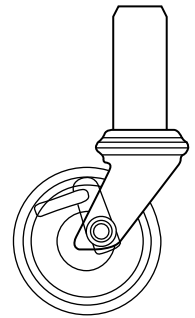
Castor with socket type top fitting			
Fitting ref	W	L	
ST1	44.5 (1.75")	89	
ST2	50.8 (2")	102	
ST3	43.0 (1.68")	89	
ST4	35.0 (1.37")	89	
ST5	47.0 (1.85")	100	



Castor with locking cup fitting			
Fitting ref	W1	W2	L
PS1	38	50.4	150

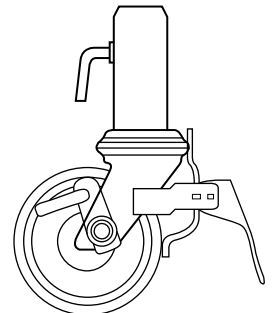
## WHEEL LOCK

A simple hand operated parking lock



## SWIVEL AND WHEEL LOCK (TL)

The foot pedal locks both wheel & swivel



Add suffix TL to catalogue reference



PU



MOR



SB



NYLON

 Max Load Capacity  
 820 Kg

**FITTINGS**

- Plug type top fitting.
- Locking cup fitting.

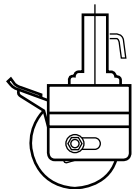


**FEATURES**

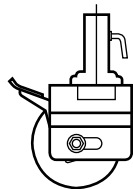
- Heavy duty thick stamped and formed ball raceways with kingpin.
- Sealed dual ball raceways for swivel head longevity.
- Stamped and coined raceways for smooth swivel movement.
- Integrated pressed fork legs.

**FORK TYPES**

Single Pedal

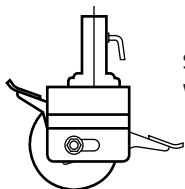


Swivel Fork with Wheel Brake

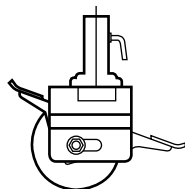


Swivel Fork with Total Brake

Double Pedal

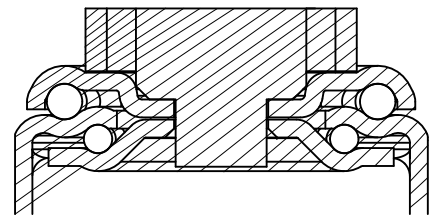


Swivel Fork with Wheel Brake



Swivel Fork with Total Brake

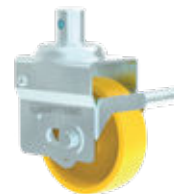
**SWIVEL HEAD SECTION**



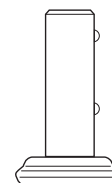
**AVAILABLE FINISHES**

RoHS compliant zinc plated

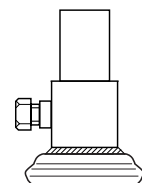
Black powder coated



**OPTIONS**



Castor with plug type top fitting

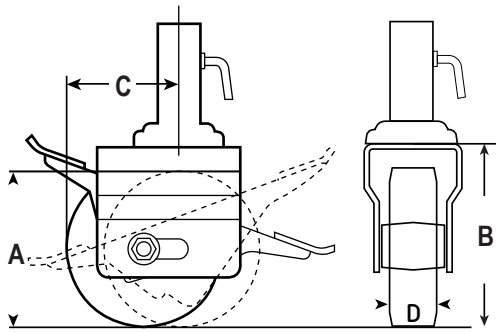


Castor with locking cup fitting

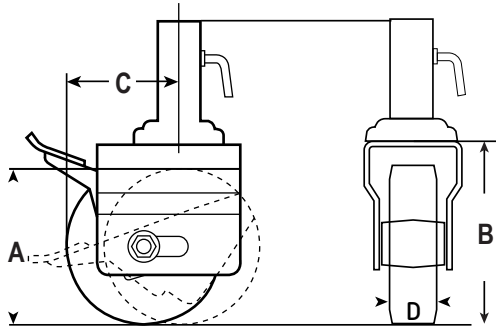
**+WHEELS**

**MATERIAL**

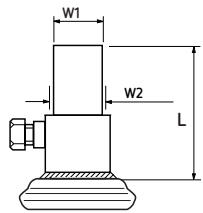
SAS	Premium Polyurethane
SJS	Standard Polyurethane
NY	Nylon
CI	Cast Iron
SB	Rubber On Cast Iron
MOR	Rubber on spoke cast iron rim.



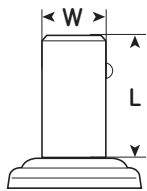
SCFDP (Dual Pedal)											
A	B	C	D	Static Load	Wheel type	Swivel	Fitting availavle		Brakes avl		
						Catalogue reference basic	Add to basic castor reference		Add to basic castor		
6"	150	190	109	45	820	Nylon	SCFDP 150 NY	PS1	V1	TL	
					50	820	Rubber Tyred	SCFDP 150 RU	PS1	V1	TL
					50	600	Polyurethane	SCFDP 150 PU	PS1	V1	TL
8"	200	240	135	50	820	Nylon	SCFDP 200 NY	PS1	V1	TL	
					50	820	Rubber Tyred	SCFDP 200 RU	PS1	V1	TL
					50	820	Polyurethane	SCFDP 200 PU	PS1	V1	TL



SCFSP (Single Pedal)											
A	B	C	D	Static Load	Wheel type	Swivel	Fitting availavle		Brakes avl		
						Catalogue reference basic	Add to basic castor reference		Add to basic castor		
6"	150	190	109	45	820	Nylon	SCFSP 150 NY	PS1	V1	TL	
					50	820	Rubber Tyred	SCFSP 150 RU	PS1	V1	TL
					50	600	Polyurethane	SCFSP 150 PU	PS1	V1	TL
8"	200	240	135	50	820	Nylon	SCFSP 200 NY	PS1	V1	TL	
					50	820	Rubber Tyred	SCFSP 200 RU	PS1	V1	TL
					50	820	Polyurethane	SCFSP 200 PU	PS1	V1	TL



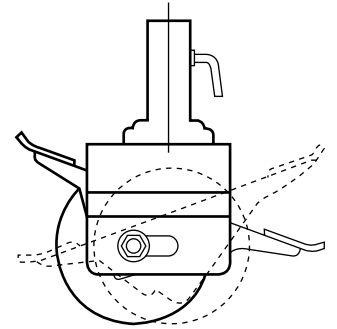
Castor with locking cup fitting			
Fitting ref	W1	W2	L
PS1	38	50.4	150



Castor with plug type top fitting		
Fitting ref	W	L
V1	38.3 (1.51")	52.5

### WHEEL LOCK

A double ended operating pedal

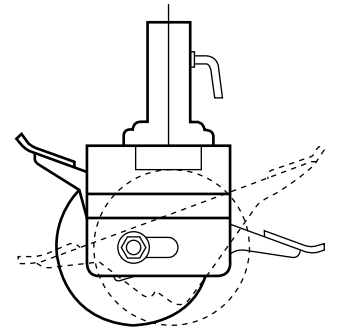


### SWIVEL & WHEEL LOCK (TL)

With one operation

A double ended colour coded Total lock operating pedal

Add suffix TL to catalogue reference



PU



SP-NYLON



RUBBER







DP-NYLON

**CONFIRMS AS PER  
BS EN 1004 : 2020**



**MUVTONS CASTORS PVT. LTD.**  
C - 40, Phase - 2, Noida- 201305, INDIA

-  [www.muvtons.com](http://www.muvtons.com)
-  [sales@muvtons.com](mailto:sales@muvtons.com)
-  +91- 991 02 67 000
-  +91- 991 09 66 900

